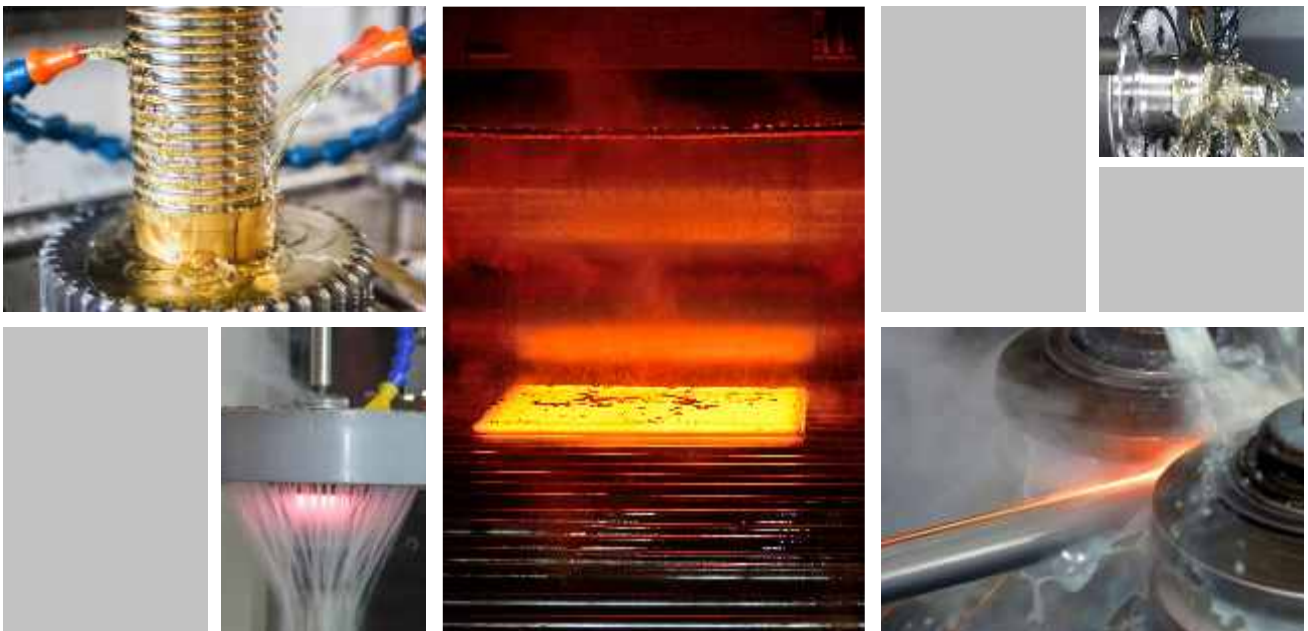


# UNBEATABLE PERFORMANCE ELECTROSTATIC PRECIPITATOR (ESP)



Effective filtration of wet and dry smoke generated from manufacturing processes is critical not just to worker's health and safety, but even for smooth and efficient operation of the equipment. SFS has years of expertise & wide range of Electrostatic Precipitators (ESPs) that can serve your specific needs and meet the operational budgets.

## APPLICATIONS

Induction Quenching ~ Cold-drawing ~ Gear Cutting ~ Grinding with Straight Oil  
Straight Oil Machining ~ Forging Operations and Cold Pressing  
Oil Mist and Dry Smoke of other Metal Working/Heat-treatment Processes

**HIGH FILTRATION EFFICIENCY ~ HIGHEST SAFETY ~ EASY MAINTENANCE**



# TOTAL FILTRATION FOR FINE MIST AND SMOKE

100+ CLIENTS 500+ INSTALLATIONS

## WHY ESP?

- Oil smoke is hazardous and long term exposure can pose serious risks to life
- The dust and oil settles on the floor and machine surfaces and causes slippery surfaces affecting safety and performance
- Potential fire risks are created if oil smoke layers are formed in ventilation pipes, sensitive equipment like control panels etc.
- Cutting oil collected during oil smoke extraction can be made available for reuse
- Oil smoke levels beyond a certain level in the work environment violate pollution norms



SF 34 H



**RECLAIM**  
Expensive coolants



**INCREASE**  
Machine speeds without pollution



**CUT**  
Cleaning bills

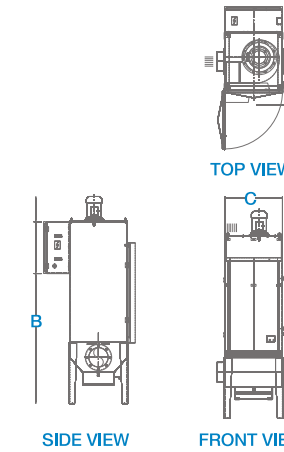


**DECREASE**  
Electrical maintenance

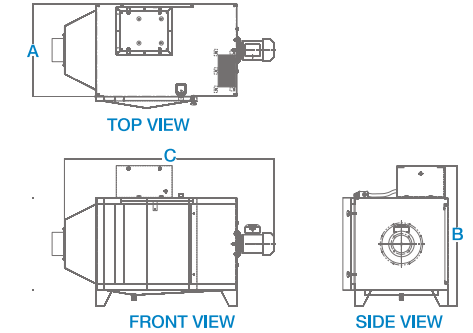


SF 34 V

G A DIAGRAM - ESP 34V



G A DIAGRAM - ESP 25H



SF 45 H

## FEATURES

- Compact sturdy design ensures longer life
- Built-in safety features and unique power pack, coupled with safety switch to disconnect ESP in case switched on when the door is still open
- Additional safety with indicating lamps on control panel to showcase operating conditions
- Lower blower maintenance required as blowers are mounted on cleaner side
- Vertical ESPs have relatively smaller footprint & are therefore ideal in case of space constraint
- Easy to install and maintain



## ACCESSORIES

- SFS provides complete solution for ESPs including duct work and other accessories.
- Customized Hoods
  - Ducts, Extraction Arms

## ESP - VERTICAL

Model	CFM/CMH	A	B	C
SF 25 V	800/1350	950	1780	580
SF 34 V	1200/2000	950	2125	580

A,B,C dimensions in mm.

## ESP - HORIZONTAL

Model	CFM/CMH	A	B	C
SF 14 H	400/600	580	880	1160
SF 25 H	800/1350	580	880	1330
SF 34 H	1200/2000	580	880	1790
SF 45 H	1600/2700	1000	1200	1690

A,B,C dimensions in mm.

## INSTALLATION AND COMMISSIONING

All ESPs from SFS are serviced by a national network of factory trained engineers.

Our direct factory support also includes comprehensive design consultation, detail engineering design and every other technical support for best results.

- Cost-effective Spares and consumables
- Annual Maintenance Contracts (AMCs)

# MARKET LEADER IN INDUSTRIAL AIR FILTRATION

Every application and its working environment is unique. SFS has a highly evolved methodology that captures all aspects of your industrial processes and maps every detail required to create a high performance filtration solution.



Scientifically measured  
before/after air quality at your  
premises for every installation.



## NATIONWIDE SALES & SERVICE NETWORK

- ~ PUNE (HQ)
- ~ DELHI NCR
- ~ AHMEDABAD
- ~ KOLKATA
- ~ BENGALURU
- ~ CHENNAI



**SPAN FILTRATION SYSTEMS PVT. LTD.**  
4 Ramtekdi Industrial Town Planning Scheme,  
Hadapsar, Pune 411013, Maharashtra, INDIA  
Tel: +91 20 6560 3153/54  
Email: [info@sfspl.co.in](mailto:info@sfspl.co.in) Web: [www.sfspl.co.in](http://www.sfspl.co.in)

